

PRODUCT SPECIFICATION

GEDA 500Z/ZP

Features & benefits

This hoist is designed for use in compact spaces and can be used simply as a material hoist or transport platform for passengers and materials.

The 500Z/ZP is very versatile enabling different ramp configurations to suit the requirements on site.

This unit can be delivered to its base position via a trailer without the need for a Hiab lorry when installed at ground level.

- Hoist Transported by trailer.
- Maximum height up to 100m.
- 5 persons / 850kg - 1000kg SWL.
- Lifting speed 12 m/min passenger.
- Lifting speed 24 m/min materials.
- Electro/mechanical interlocking gates.
- Can be paired with our 22kva generator.
- Optional Load and Lock Scaffold Rack attachment.



Towed to the site by trailer.

Loading the hoist at the base position

Hoist at the landing position



Power requirements

Dedicated 415v 32a 5 Pin Commando Socket.



Must use 4mm heavy-duty leads with long runs due to volt drop on start-up currents.

32a Three Phase C Type MCB.



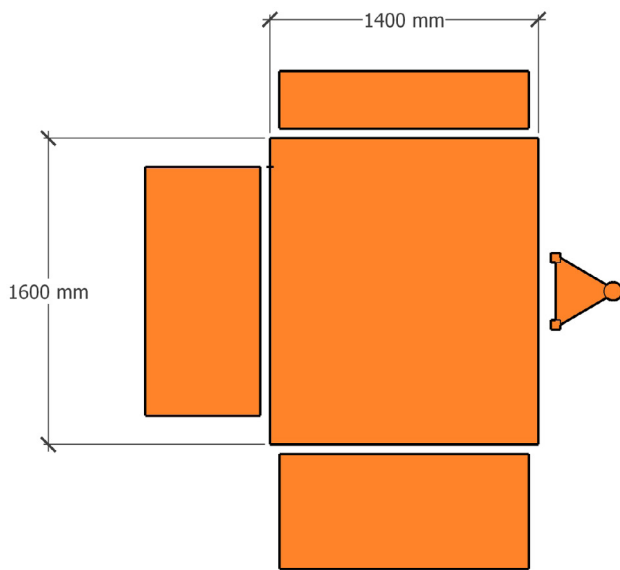
	Geda 500zpz 415v Three Phase - 850kg Hoist Type	Geda 500zpz 415v Three Phase - 1000kg Hoist Type
Maximum Height	100m	50m
Lifting Capacity - Goods Mode	850kg	1000kg
Lifting Capacity - Personnel Mode	5 persons	5 persons
Lifting Speed - Goods Mode	24 m/min	24 m/min
Lifting Speed - Personnel Mode	12 m/min	12 m/min
Power Source	415v Electric	415v Electric
Breaker Rating	32a Three Phase C Type MCB	32a Three Phase C Type MCB
Power Requirements (Within 2m of the hoist base)	Dedicated 415v 32a 5 Pin Commando Socket	Dedicated 415v 32a 5 Pin Commando Socket
Start up Current (Max)	60a	60a
Running Current (Max)	13.8a	13.8a
Cage Dimensions (Internal)	W 1400mm - L 1600mm	W 1400mm - L 1600mm
Approx. Ground Space Required	3000mm x 3000mm	3000mm x 3000mm
Approx. Minimum Access Required	W 2300mm - H 3000mm - L 4500mm	
Approx. Gate Opening Dimensions	2000mm +	2000mm +

GEDA 500Z/ZP

Technical information

Standard configuration.

Platform size.



Reversed configuration.

Platform size.

