

PRODUCT SPECIFICATION

ALIMAK Scando 650 FC 20/32

Features & benefits

Alimak, known as the market leader in the hoisting industry, this passenger and goods hoist is perfect for multipurpose high-rise buildings, made to last.

The fully enclosed car and full-height landing gates make this hoist a safe and reliable choice for goods and passengers, with a safe, fast and smooth running ride.

Key Features:

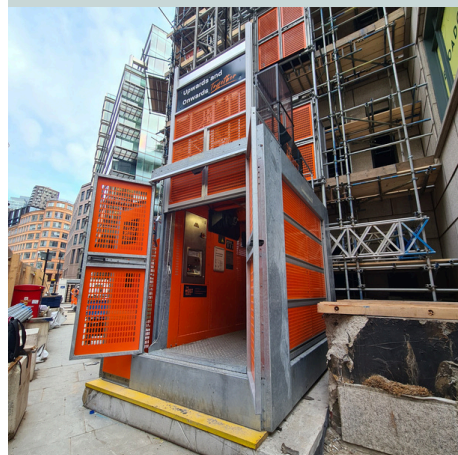
- Fully enclosed car & full-height landing gates.
- 2,000 kg / 24 passenger capacity.
- Large 2.5m wide opening C-door.
- Up to 200m high.
- Lifting Speed 42m/min.
- Spacious car size 3.2m X 1.5m.

Options:

- Fitted with an anemometer (wind speed)
- Erected on a steel base plate
- Top hat compartment for tall items
- Optional car call system
- Landing infill plates
- Hoistway protection panels



Hoist at the base position



Hoist at the landing position showing Top Hat



Hoist at the landing position

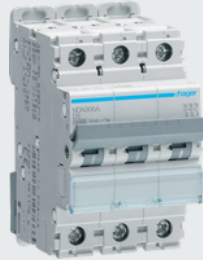


PRODUCT SPECIFICATION

ALIMAK Scando 650 FC 20/32

Power requirements

Dedicated 415v 63a 5 Pin Commando Socket.



63a Three Phase D Type MCB
300ma RCD

Maximum Height	200m
Lifting Capacity	Up to 2000kg
Lifting Capacity - Personnel	24 Persons
Lifting Speed	42m / min
Power Source	415v ELECTRIC
Breaker Rating	63a Three Phase D Type MBC
Power Requirements	Dedicated 415v 63a 5 Pin Switched Commando Socket
Start-Up Current (Max)	69a
Running Current	45a
Internal Car Dimensions	L3200mm x W1500mm x H2300mm
External Car Length	3380mm
A&B Door Dimentions	W1500mm H2200mm
C-gate door Dimentions	W2500mm H2000mm
Ground Space Required approx.	L3820mm x W2600mm approx
Base Plate Dimentions	L4000mm x W2500mm x D40mm
Total Base Lifting Weight	3000Kg

PRODUCT SPECIFICATION

ALIMAK Scando 650 FC 20/32

Technical information



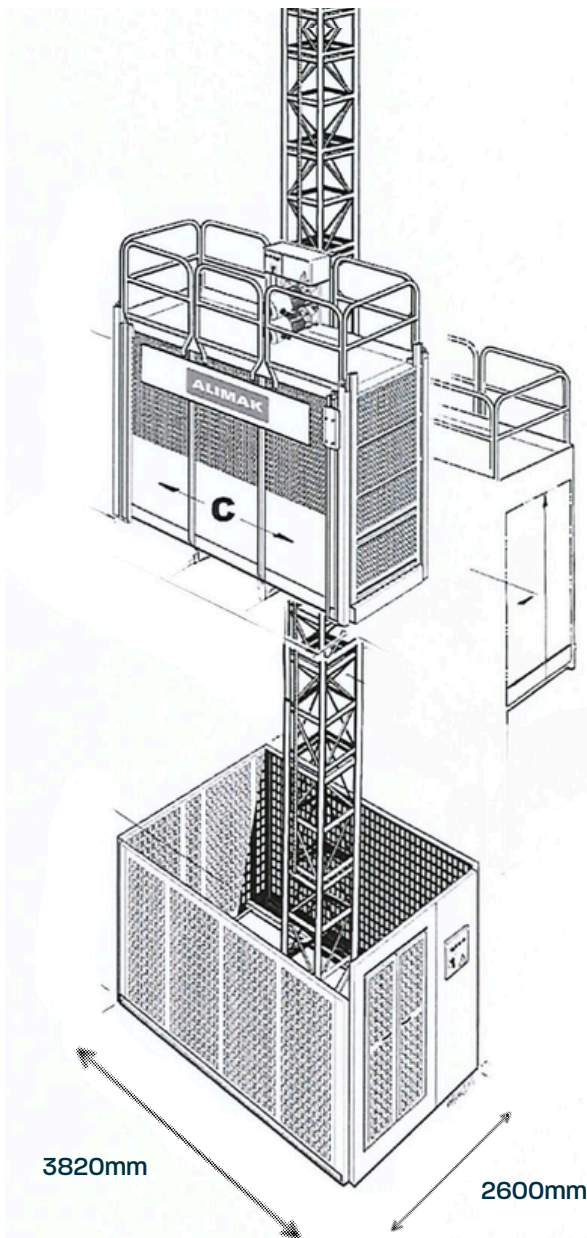
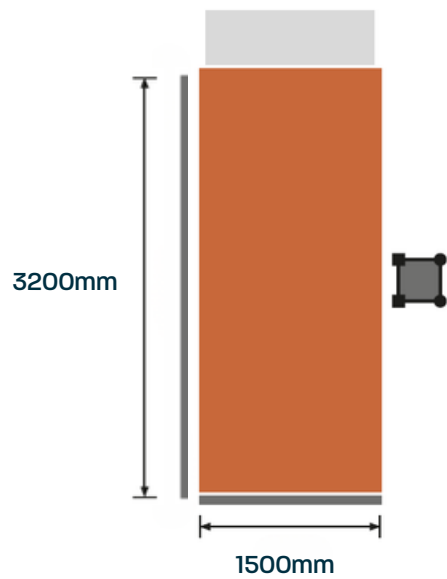
OPTIONAL CALL SYSTEM

Swift car call system for each landing to notify the hoist operator in the car.

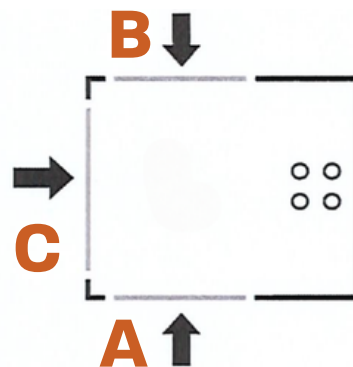
TIE SPACINGS

Depending on Loadings and distance out from the scaffolding, etc. - contact our office for details

Platform Size



Gate Positions



* Image shows Base landing