

# CHAIN HOIST 2000KG

## Features & benefits

The Yale 2-Ton Chain Hoist is your go-to solution for lifting heavy building materials from street level up to gantries.

With a self-propelled motor mover, it ensures a smooth and effortless hoisting experience when shifting heavy goods.

Offering a 2000kg capacity, this hoist combines power and reliability.

Its motor mover not only enhances control but also adds an extra layer of safety.

Key features:

- Lifting speed of 8 m/min.
- 2000kg Lifting capacity.
- Self-propelled Motor Mover.
- Supplied with beam - 2.5m onwards.
- Perfect for lifting palletised goods from lorries onto gantries.



### Optional Accessory

Lifting Chains



Stillage



2000kg Chain Hoist mounted on a beam

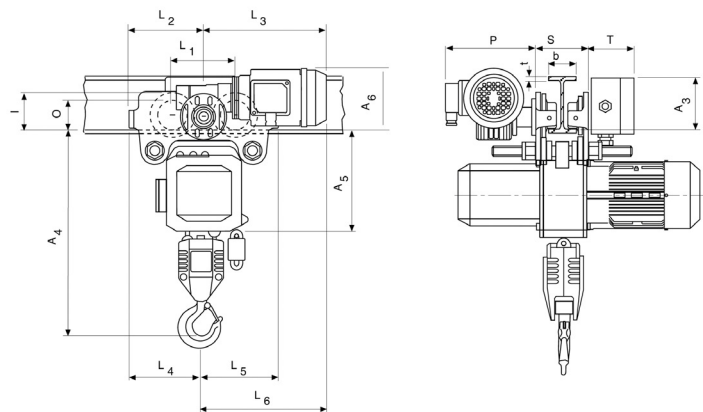


# CHAIN HOIST 2000KG

	Chain Hoist 2000kg
<b>Maximum Height</b>	Up to 15m
<b>Lifting Capacity - Goods Mode</b>	2000kg
<b>Lifting Capacity - Personnel Mode</b>	n/a
<b>Lifting Speed - Goods Mode</b>	8 m/min
<b>Lifting Speed - Personnel Mode</b>	n/a
<b>Power Source</b>	415v Electric
<b>Breaker Rating</b>	32a Three Phase C Type MCB
<b>Power Requirements (Within 2m of the hoist base)</b>	Dedicated 415v 32a 5 Pin Commando Socket
<b>Start up Current (Max)</b>	35a
<b>Running Current (Max)</b>	7a
<b>Cage Dimensions (Internal)</b>	n/a
<b>Approx. Ground Space Required</b>	n/a
<b>Approx. Minimum Access Required</b>	n/a
<b>Approx. Gate Opening Dimentions</b>	n/a

Model	CPE / CPEF 20-8
A3, mm	212
A4, mm	465
A5, mm	298
A6, mm	178
b, mm	A = 98 - 180 / B = 180 - 300
F, mm	150
l, mm	142.5
L1, mm	209
L2, mm	262.5
L3 (VTE), mm	292
L3 (VTEF), mm	296
L4, mm	213
L5, mm	312
L6 (VTE), mm	342
L6 (VTEF), mm	346
O, mm	125
P (VTE), mm	197
P (VPEF), mm	205
Pl, mm	229
S, mm	b + 70
T, mm	94
Tmax., mm	27

Model CPE/CPEF with integrated electric trolley



Section of beam showing the 933mm center suspension brackets

